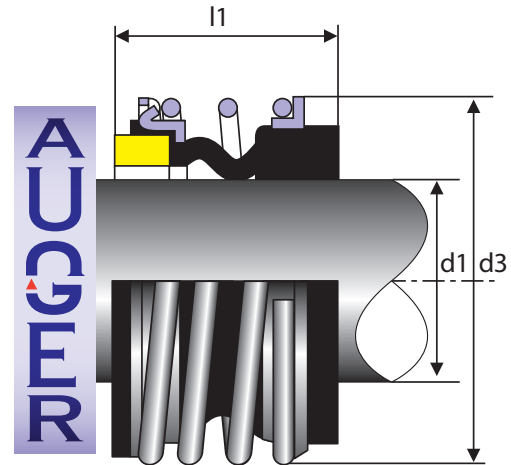


▶ AUGER SEAL TYPE AG12



▼ WE SEAL PUMPS!

Dimensions in millimeters

d1	d3	l1
10	22,50	25,90
12	25,00	25,90
14	28,50	28,40
*15	28,50	28,40
16	28,50	28,40
18	32,00	30,00
20	37,00	30,00
22	37,00	30,00
24	42,50	32,50
25	42,50	32,50
28	49,00	35,00
30	49,00	35,00
32	53,50	35,00
33	53,50	35,00
35	57,00	35,00
38	59,00	36,00
40	62,00	36,00
43	65,50	36,00
45	68,00	36,00
48	70,50	36,00
50	74,00	38,00
53	78,50	36,50
55	81,00	36,50
58	85,50	41,50
60	88,50	41,50
63	90,00	
65	93,50	41,50
68	96,50	41,20
70	99,50	48,70
75	107,00	48,70
80	112,00	48,00
85	120,00	46,00
90	127,00	51,00
95	132,00	51,00
100	137,00	51,00

SPECIFICATIONS

- Pmax: 15 bar
- T°C: -15 ~ 200 °C
- Double directional

APPLICATIONS

- Submersible pumps
- Centrifugal pumps
- Water pumps
- Mixers

MATERIALS

- Faces: Q, Q1, Carb, TC
- Metal parts: st/st 304 & 316
- Bellows: Nitril, EPDM, Viton

REMARKS

- 15 mm not acc. to DIN
- Special dimensions on request

AUGER_{N.V.}

Kemelbeekstraat 30 - 2460 TIELEN - Belgium

T +32 (0)14 86 03 55 E info@auger.be W www.auger.be